

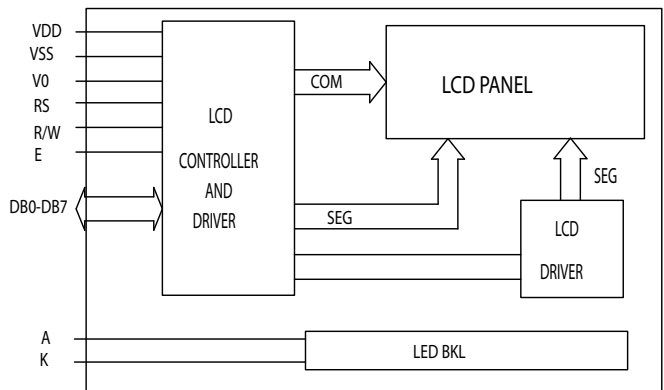
**Pin connections**

PIN NO	Symbol
1	VSS
2	VDD
3	V0
4	RS
5	R/W
6	E
7	DB0
8	DB1
9	DB2
10	DB3
11	DB4
12	DB5
13	DB6
14	DB7
15	A
16	K

**Feature**

1. 2-line x16 characters display; 5x8 dots with cursor
2. Built-in controller (KS0066U or Equivalent)
3. +5V power supply(Also available for +3.3V)
4. 1/16 duty cycle;1/5bias;
5. TN, HTN, STN or FSTN mode
6. BKL to be driven by pin1, pin2, or pin15, pin16, or A, K

**Block diagram:**



**Absolute Maximum Rating**

Item	Symbol	Standard			Unit
		Min	Typ	Max	
Input voltage	VI	-0.3	-----	5.5	V
Power supply	VDD-VSS	-0.3	-----	VDD	

**Display character address code**

Display position

Address	1	2	3	4	5	...	14	15	16
DDRAM address	00	01	02	...	...	...	0EH	0FH	
DDRAM address	40	41	42	...	...	...	4EH	4FH	

**Electronical characteristics**

Item	Symbol	Condition	Standard			Unit
			Min	Typ	Max	
Input voltage	VDD	+5V	4.7	5.0	5.5	V
		+3.3V	2.7	3.3	5.3	V
Supply current	IDD	VDD=5V	-----	1.5	4	mA
Recommended LCD driving voltage for normal temp version module	VDD-V0	-20°C	4.8	5.0	5.3	V
		0 °C	4.6	4.8	5.0	
		25°C	4.3	4.5	4.7	
		50°C	4.2	4.3	4.5	
LED forward voltage	VF	25°C	-----	4.2	5.0	V
LED forward current	IF	25°C	-----	120	-----	mA
EL power supply current	IEL	VEL=110V AC 400Hz	-----	-----	-----	mA

**Mechanical thickness**

LCD module thickness	T1	T2	UNIT
Without or EL backlight	4.6	9.5	mm
With edge LED backlight	8.6	13.5	mm
With LED bottom backlight	8.6	13.5	mm

**Mechanical data**

Item	Standard	Unit
Module dimension	84.0x44.0	mm
Viewing area	64.5x16.4	mm
Dot size	0.56x0.61	mm
Character size	3.00x5.23	mm